

# Margaret Knight: The Trailblazing Girl Inventor



## Margaret Knight: Girl Inventor by Marlene Targ Brill

★★★★★ 5 out of 5

Language : English  
File size : 12824 KB  
Text-to-Speech : Enabled  
Screen Reader : Supported  
Enhanced typesetting : Enabled  
Print length : 72 pages  
Lending : Enabled



In an era where women were often relegated to domestic roles, one young woman dared to defy societal norms and embark on an extraordinary journey of innovation. Margaret Knight, born in 1838, rose above adversity

to become one of the most prolific inventors of her time, revolutionizing the paper industry and inspiring future generations of women in STEM fields.

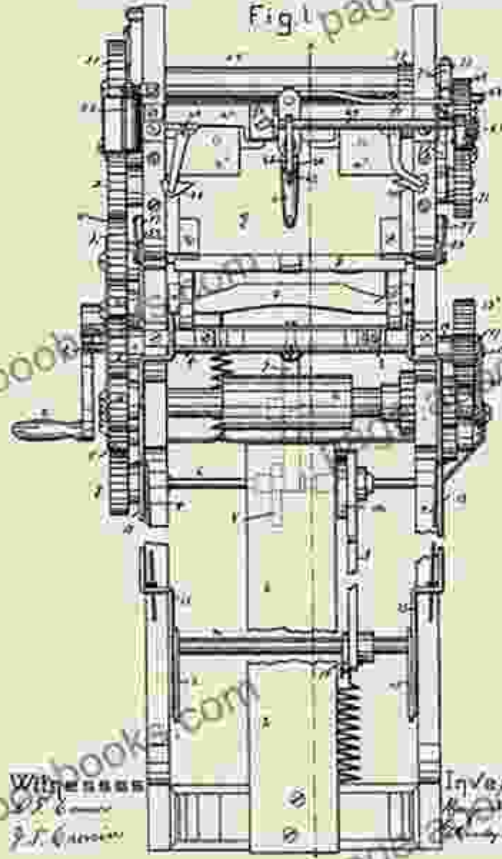
## **Early Life and Education**

Margaret Knight's childhood was marked by both joy and hardship. Born to a poor family in Maine, she exhibited an inquisitive nature and a passion for learning from a young age. Despite the limited educational opportunities available to girls at the time, Margaret found ways to quench her thirst for knowledge. She read voraciously, attended lectures, and spent countless hours tinkering with simple machines at her father's sawmill.

## **The Paper Bag Machine**

**Paper Bag Machine, 1879**  
**Margaret Knight, Inventor**

M. E. KNIGHT,  
Paper-Bag Machine.  
No. 220,925. Patented Oct. 28, 1879.



The Mighty Mitochondria

In 1867, at the age of 29, Margaret Knight's inventive genius came to fruition. She had been working in a paper mill, observing the laborious and inefficient process of making paper bags by hand. Inspired by a visit to a clothespin factory, Margaret envisioned a machine that could automate this task. After months of experimentation and refinement, she developed a groundbreaking paper bag machine.

Knight's machine revolutionized the paper industry. It could produce paper bags at a rate of 600 per hour, a significant increase over the previous manual methods. Her invention not only reduced the cost of paper bags but also improved their quality and consistency. Today, Margaret Knight's paper bag machine remains the foundation of the modern paper bag manufacturing process.

## **The Paper Cutter**



Margaret Knight's inventive prowess extended beyond the paper bag machine. In 1871, she invented a paper cutter that significantly improved the efficiency and safety of paper cutting. Prior to her invention, paper was cut using dangerous hand knives, often resulting in injuries. Knight's paper cutter featured a sharp blade mounted on a rotating wheel, enclosed within a protective housing. This design prevented accidents and made the paper cutting process more precise and efficient.

### **Other Notable Inventions**

In addition to her paper bag machine and paper cutter, Margaret Knight also invented a device for treating leather, a machine for pressing and folding paper boxes, and a new type of windowpane. Her inventions spanned a wide range of industries, showcasing her versatility and inventive spirit.

### **Challenges and Adversity**

Margaret Knight's path to success was not without its obstacles. In an era marked by gender inequality, she faced skepticism and resistance from both men and women. Some questioned her abilities as a female inventor, while others tried to claim credit for her work. Undeterred, Knight fought back, defending her patents and advocating for the rights of women in STEM fields.

### **Legacy and Impact**

Margaret Knight's contributions to innovation and STEM education cannot be overstated. Her inventions revolutionized the paper industry, making paper bags and paper cutting more efficient and accessible. She paved the

way for women in STEM fields, inspiring future generations to pursue their passions in science and engineering.

Today, Margaret Knight's legacy lives on through her inventions, which continue to be used worldwide. She is remembered as a trailblazing girl inventor who broke down barriers and made significant contributions to society. Her story continues to inspire young minds, reminding them that anything is possible with determination and perseverance.

## Author Bio

Marlene Targ Brill is a renowned author and historian specializing in women's history and the history of technology. Her book, "Margaret Knight: Girl Inventor," is a captivating biography that brings Margaret Knight's remarkable life and inventions to life.

## Call to Action

Discover the inspiring story of Margaret Knight, the girl inventor who changed the world, in Marlene Targ Brill's acclaimed book, "Margaret Knight: Girl Inventor." This engaging and meticulously researched biography is a must-read for anyone interested in innovation, women's history, and the power of perseverance.

Get your copy now!



### **Margaret Knight: Girl Inventor** by Marlene Targ Brill

★★★★★ 5 out of 5

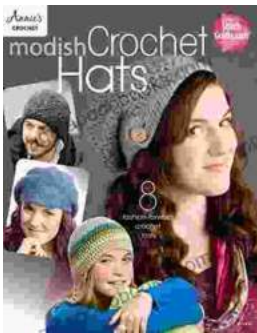
Language : English  
File size : 12824 KB  
Text-to-Speech : Enabled  
Screen Reader : Supported  
Enhanced typesetting : Enabled

Print length : 72 pages  
Lending : Enabled



## **Journey into the Verdant Realm of "Plants vs. Zombies: Timepocalypse" by Paul Tobin**

Immerse Yourself in an Epic Battle for Survival Prepare yourself for an exhilarating adventure as you delve into the pages of "Plants vs. Zombies: Timepocalypse," a...



## **Unveiling the Allure of Modish Crochet Hats Annie Crochet: A Journey into the Realm of Style and Creativity**

In the realm of fashion and creativity, the art of crocheting unravels a world of endless possibilities. Among the captivating creations that emerge from the...